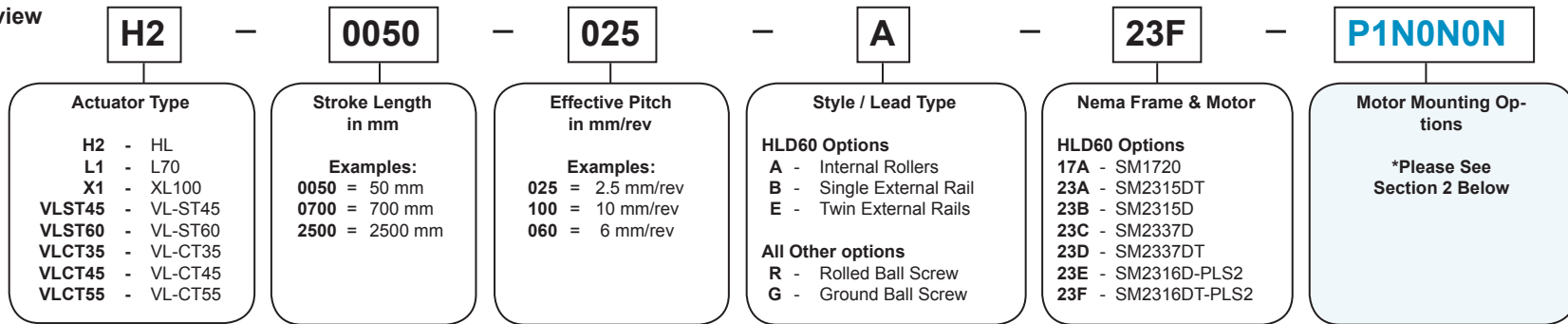
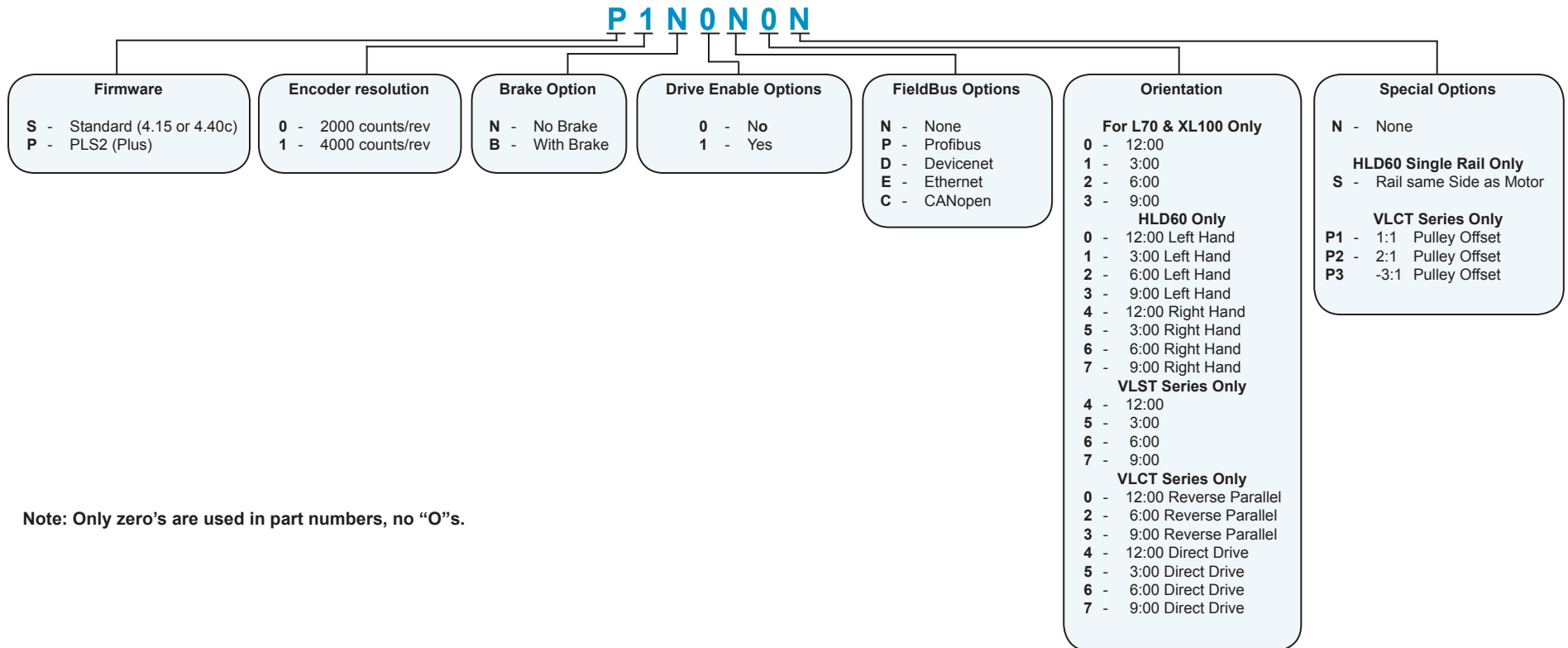


# Understanding Part Numbers

## 1. Overview



## 2. Motor Mounting Options (Last 7 or 8 Digits)

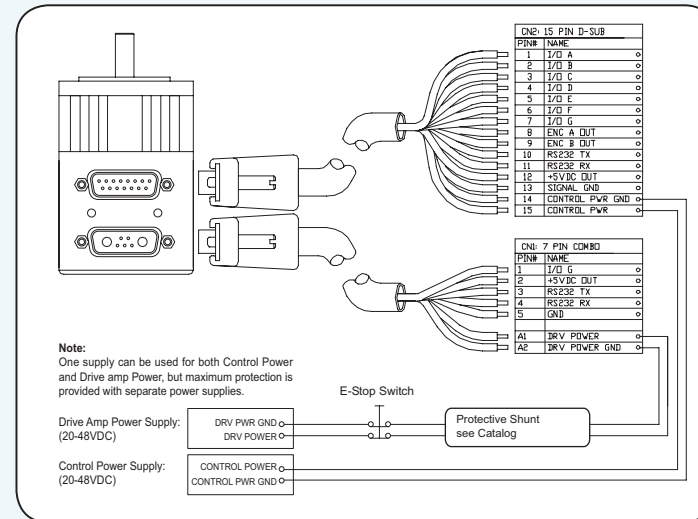


**Note: Only zero's are used in part numbers, no "O"s.**

### 3. Drive Enable Feature Explained

The DE option allows the Animatics OEM and Legend Series controller and drive-amplifier to be powered from separate 24-48 VDC power supplies.

- Controller can be powered from a standard 24 VDC supply
- Position will not be lost on loss-of-drive-power
- No need to re-home
- Load surges will not cause power surge on controller
- Standard battery options are made simpler



### 4. Important Links

Part number Generator: [www.oemdynamics.com/partnumbers](http://www.oemdynamics.com/partnumbers)

Price List: : [http://www.oemdynamics.com/price/oem\\_price\\_list\\_0608.pdf](http://www.oemdynamics.com/price/oem_price_list_0608.pdf)

Orientation Examples explained:

### 5. Pricing Explained

Note: The List Price sheet on the OEM Dynamics Website includes the actuator type at a given stroke length with the SM2316DT-PLS2 (no motor options) standard. If a motor option is needed (i.e. brake, drive enable, FieldBus), then their will be a motor adder to the List Price as shown at the top of page 4 on the Price List sheet. Motor options and ground ball screws are the only options which will have an adder to the pricing which is on the Price List Sheet (Page 4). Orientations and pulley offset options don't have any price adders. If a different motor is selected (besides the standard SM2316DT-PLS2), the price will not change. We only recommend the "DT" (double torque) version motors with the HLD60.

Here are some examples (for single unit pricing):

#### Example 1: L70

Part Number: L1 - 300 -050R - 23F - P1N0N0N

Description: L70 actuator, 300 mm stroke, 5 mm/rev lead, rolled ballscrew, includes SM2316DT-PLS2, 12:00 orientation

List Price: \$2523

#### Example 2: HLD60

Part Number: H2 - 1469 - 100B -23F - P1NE0N

Description: HLD60 with external single rail actuator, 1469 mm stroke, 10 mm/rev pitch includes SM2316DT-PLS2, Drive Enable, Ethernet, 12:00 Left handed.

List Price: \$4261 (\$3692 for actuator / motor, \$31 for Drive Enable and \$538 for Ethernet).

#### Example 3: VL-CT35

Part Number: VLCT35 - 0100-120R - 23F - P1N0N0P2

Description: VL-CT35 actuator, 100 mm stroke, 12 mm/rev lead, rolled ballscrew, includes SM2316DT-PLS2, 12:00 reverse parallel with 2:1 Pulley Offset.

List Price: \$2020