

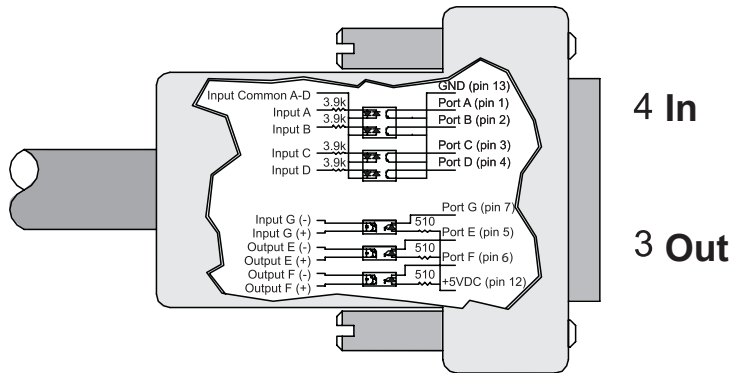
The CBLIO43 and CBLIO52 power and communication cables supply 24VDC I/O in a low-cost, optically-isolated package. The CBLIO43 cable provides 4 input ports and 3 output ports. The CBLIO52 cable offers the same specifications and functionality, but with 5 input ports and 2 output ports.



CBLIO43 CABLES

The CBLIO43 cable has a 4 inputs and 3 outputs configuration.

- CBLIO43-5M 5m length
- CBLIO43-10M 10m length
- CBLIO43DE5M 5m length
- CBLIO43DE10M 10m length

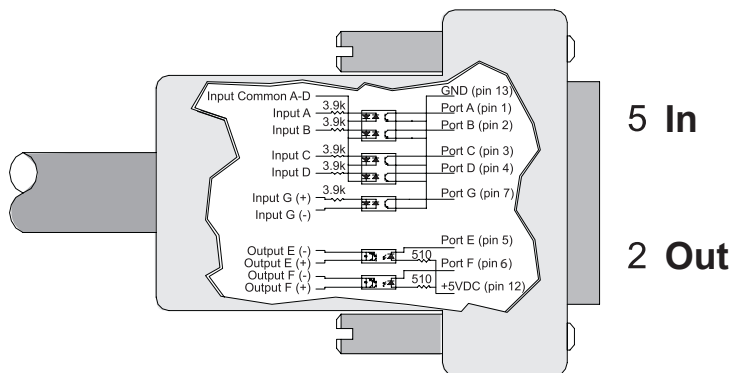


Function	Color	Description	Rating
Input Common A-D	Black/White	Input Common for A-D	V _{in} 24VDC I _{in} 5mA
Input A	Blue	Digital Input A (50kHz max)	V _{max} 30VDC I _{max} 100mA
Input B	Green	Digital Input B (50kHz max)	
Input C	Orange	Digital Input C	
Input D	Red	Digital Input D	
Input G (+)	N/A	Digital Input G	V _{max} 30VDC I _{max} 100mA
Input G (-)	N/A		
Output G (+)	Green/White	Digital Input E	
Output G (-)	Green/Black		
Output E (+)	Red/White	Digital Input F	
Output E (-)	Red/Black		
Output F (+)	Blue/White	Digital Input F	
Output F (-)	Blue/Black		

CBLIO52 CABLES

The CBLIO52 cable has a 5 inputs and 2 outputs configuration.

- CBLIO52-5M 5m length
- CBLIO52-10M 10m length
- CBLIO52DE5M 5m length
- CBLIO52DE10M 10m length



Function	Color	Description	Rating
Input Common A-D	Black/White	Input Common for A-D	V _{in} 24VDC I _{in} 5mA
Input A	Blue	Digital Input A (50kHz max)	V _{max} 30VDC I _{max} 100mA
Input B	Green	Digital Input B (50kHz max)	
Input C	Orange	Digital Input C	
Input D	Red	Digital Input D	
Input G (+)	N/A	Digital Input G	V _{max} 30VDC I _{max} 100mA
Input G (-)	N/A		
Output G (+)	Green/White	Digital Input E	
Output G (-)	Green/Black		
Output E (+)	Red/White	Digital Input F	
Output E (-)	Red/Black		
Output F (+)	Blue/White	Digital Input F	
Output F (-)	Blue/Black		