

CBLIO-ISO1-xM CABLES

The CBLIO-ISO1 cable provide optically isolated 24VDC I/O Interface to the controller.

The cable is user configurable as 4 inputs and 3 outputs Or 5 inputs and 2 outputs.

Additionally, this cable provides direct connection to

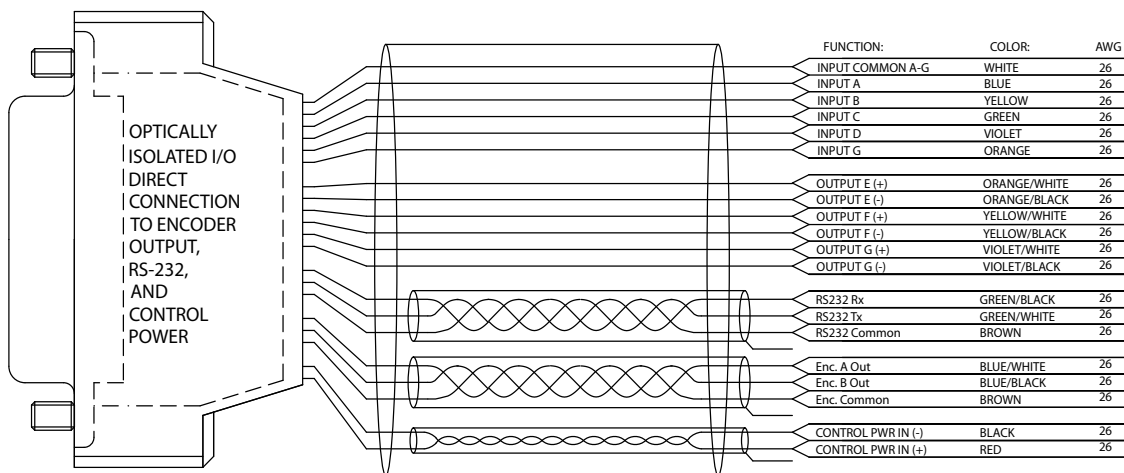
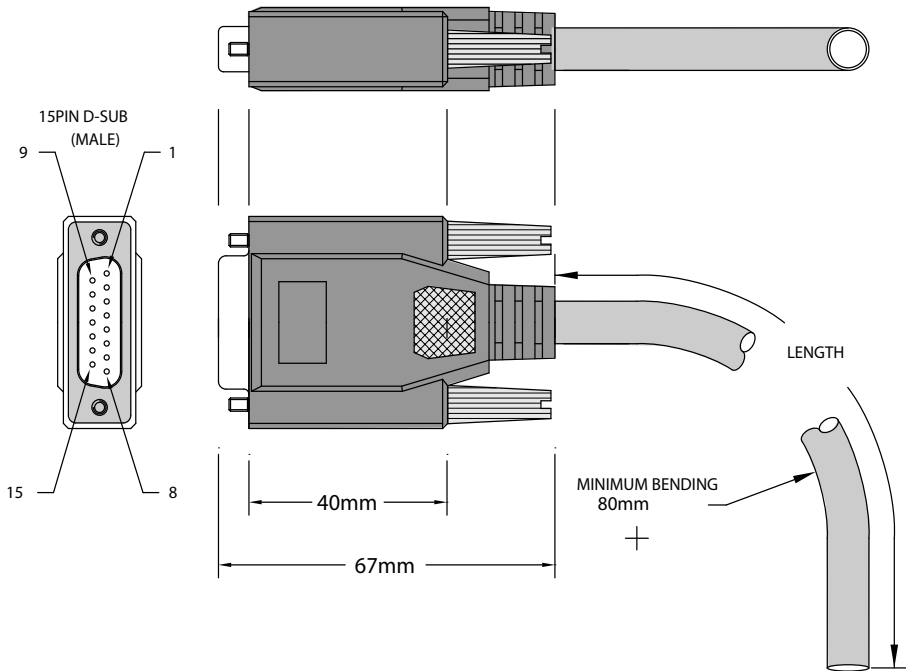
- RS-232 Primary Communications Port (Ch. 0)
- Encoder Output
- Control Power Input

CBLIO-ISO1-3M 3 meter length.

CBLIO-ISO1-5M 5 meter length.

CBLIO-ISO1-10M 10 meter length.

It can be used with standard or -DE option Animatics SmartMotors



SHIELD AND DRAIN WIRES DO NOT CONTACT CIRCUIT BOARD OR CONNECTOR SHELL

PERIPHERALS