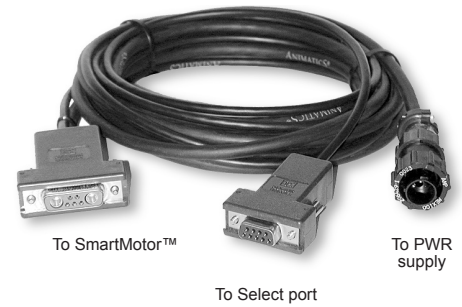


CBLSM1-xM

Power and Communications Cable for Main 7W2 Connector on Animatics SmartMotor™

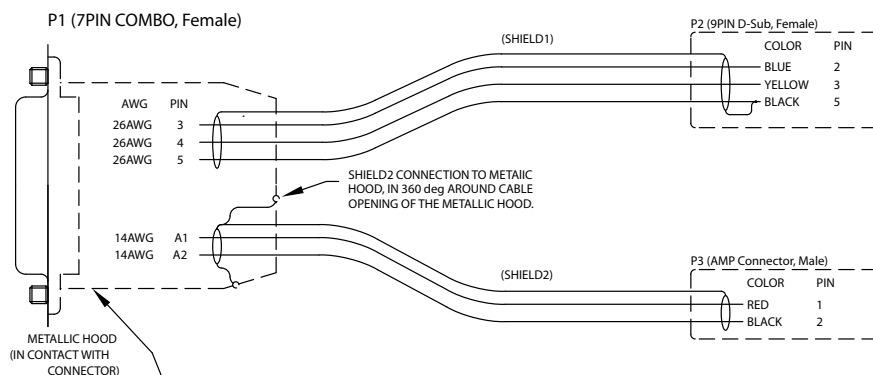
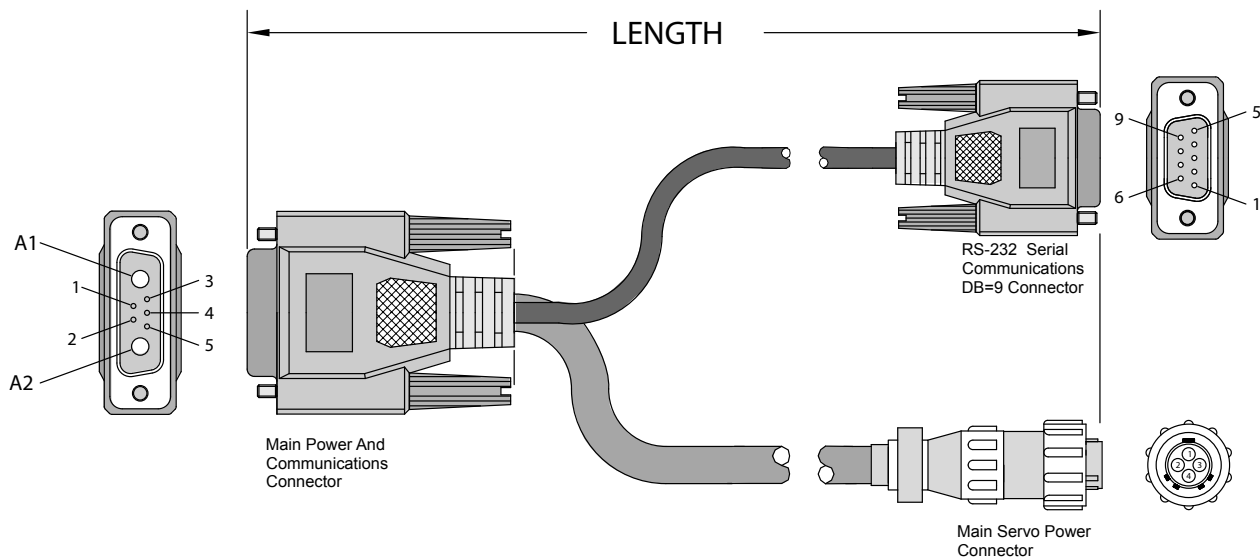
CBLSM1 series is the main Power and communications cable consisting of a 7W2 main motor connector split out to a pre-wired RS-232 DB-9 connector to plug directly into any standard PC serial port.

The power is split off and has a connector that plugs into our enclosed frame power supplies on page 126.



Part Number	Length	Part Number	Length
CBLSM1-3M	3 meters	CBLSM1-x	x (in feet)

Note: Communications Shield is connected at the DB-9 end, but NOT the Motor end. The power cable is connected at the motor connector shell but electrically isolated from the any internal electronic components.



PERIPHERALS